

## 1. Applications:

The Rww type, ROD cores are used as OSC coils, choke coils, and peaking coils.

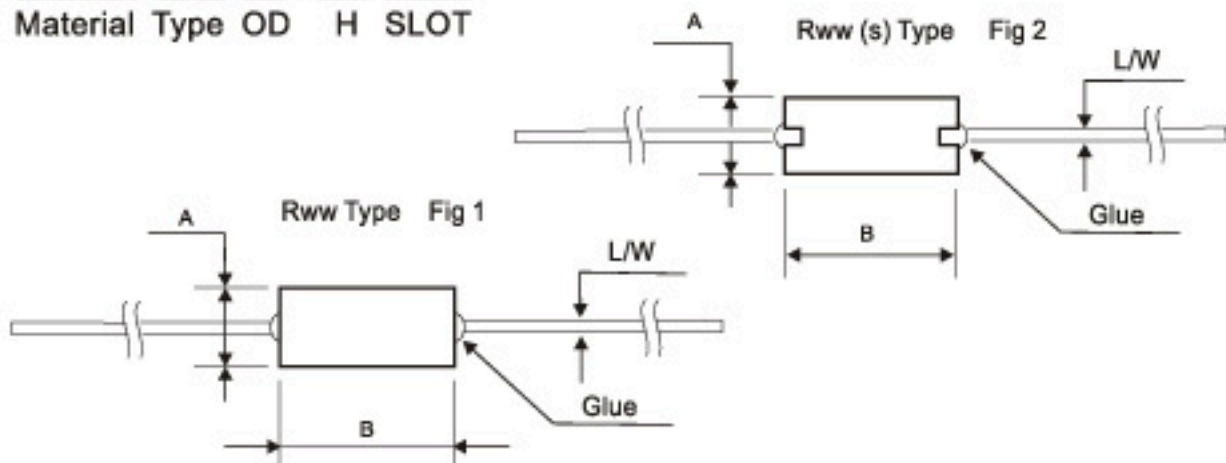
## 2. Materials:

We can choose the material for the electrical characteristics you specify.



## 3. Ordering code:

GL6 Rww 5 x 15 (S)  
Material Type OD H SLOT



## 4. Dimensions (m/m)

ITEM	A	B	Fig	ITEM	A	B	Fig
R <sub>ww</sub> 1.8x4	1.8±0.1	4.0±0.2	1	R <sub>ww</sub> 5x15	5.0±0.1	15.0±0.4	1.2
R <sub>ww</sub> 2.3x4	2.3±0.1	4.0±0.2	1	R <sub>ww</sub> 5x20 (s)	5.0±0.15	20.0±0.5	1.2
R <sub>ww</sub> 3x6	3.0±0.1	6.0±0.2	1	R <sub>ww</sub> 5.5x8 (s)	5.5±0.15	8.0±0.4	2
R <sub>ww</sub> 3x8	3.0±0.1	8.0±0.3	1	R <sub>ww</sub> 5.5x15 (s)	5.5±0.15	15.0±0.3	2
R <sub>ww</sub> 3x10	3.0±0.1	10.0±0.3	1	R <sub>ww</sub> 6x15	6.0±0.15	15.0±0.5	1
R <sub>ww</sub> 3x12	3.0±0.1	12.0±0.3	1	R <sub>ww</sub> 6x20	6.0±0.15	20.0±0.4	1
R <sub>ww</sub> 3.5x10	3.5±0.1	10.0±0.3	1	R <sub>ww</sub> 6x15 (s)	6.0±0.15	15.0±0.5	2
R <sub>ww</sub> 4x15	4.0±0.1	15.0±0.4	1	R <sub>ww</sub> 6x20 (s)	6.0±0.15	20.0±0.4	2
R <sub>ww</sub> 4x20	4.0±0.1	20.0±0.5	1	R <sub>ww</sub> 6.35x25	6.35±0.15	25.0±0.6	1
R <sub>ww</sub> 4.2x10 (s)	4.2±0.15	10.0±0.5	2	R <sub>ww</sub> 6.35x30	6.35±0.15	30.0±0.6	1
R <sub>ww</sub> 4.2x15 (s)	4.2±0.15	15.0±0.3	2	R <sub>ww</sub> 10x30 (s)	10.0±0.2	30.0±0.6	2

※ The Length can be changed by your necessary!!