

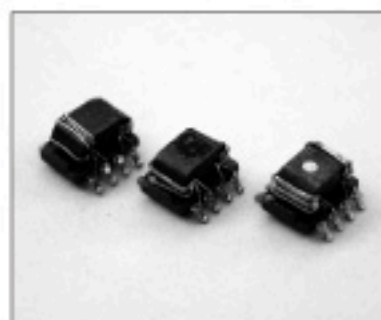
# FERRITE FILTER (SRID TYPE)

FERRITE

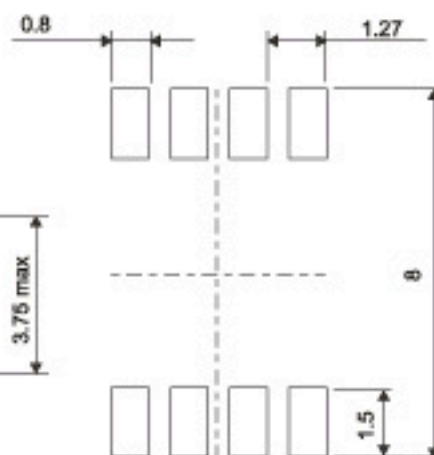
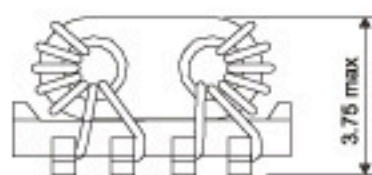
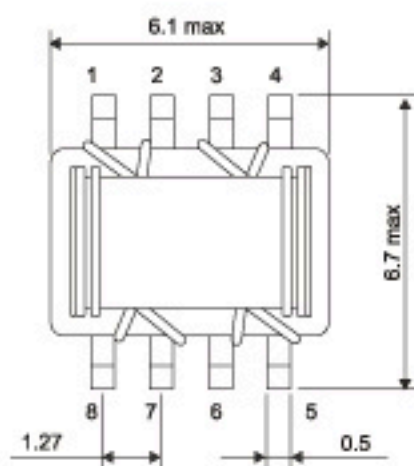
## SRID COMMON MODE CHOKE SERIES SHAPES

### OUTLINE:

- Dual-winding configuration makes 1 unit suffice for one port.
- An excellent TPA/TPB impedance balance is ensured due to winding on a single core.
- Reflow solderable.



## SHAPES AND DIMENSIONS



Typical Land Pattern (mm)

## ELECTRICAL CHARACTERISTICS

Part Number	IMPEDANCE( $\Omega$ ) AT 100MHz	IMPEDANCE( $\Omega$ ) AT 300MHz	DC Resistance ( $\Omega$ ) MAX.	Rated Current (A) MAX.
SRID6560-201	100 $\Omega$ Min	300 $\Omega$ Min	0.012	0.50
SRID6560-301	225 $\Omega$ Min	450 $\Omega$ Min	0.020	0.50
SRID6560-501	375 $\Omega$ Min	550 $\Omega$ Min	0.030	0.50